

ESD

Installation Kit for air duct

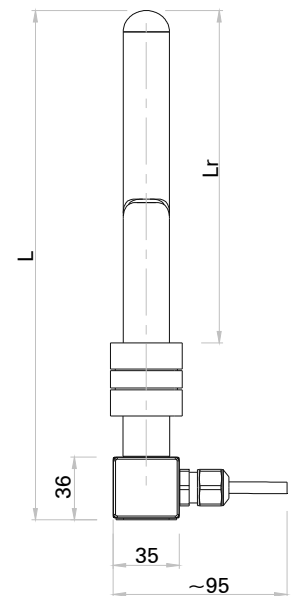
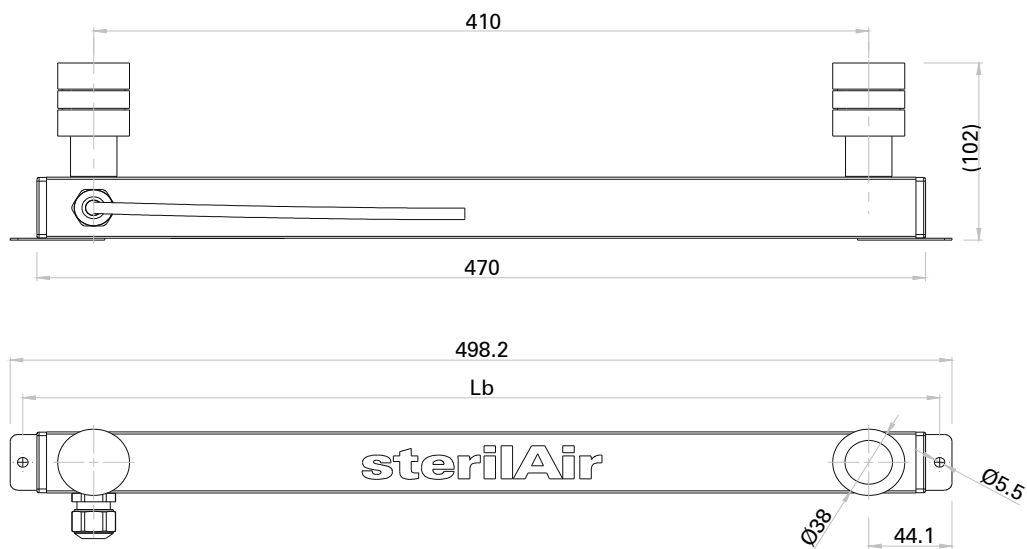
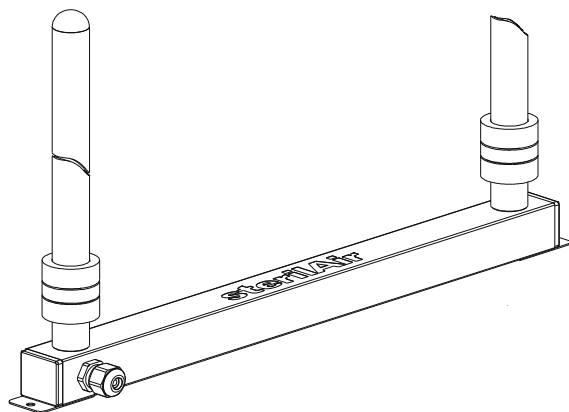


- For direct installation in air condition and ventilation ducts
- Modular and easily upgradeable
- Suitable large for volume flows
- Area of application of -10°C – +50°C
- Easy to install
- Extremely versatile use

Product designation	ESD 2018	ESD 2036	ESD 2058
Power consumption	36 W, 190 mA	72 W, 340 mA	116 W, 510 mA
Supply voltage	230 V _{AC} ±4%, 50..60 Hz	230 V _{AC} ±4%, 50..60 Hz	230 V _{AC} ±4%, 50..60 Hz
UV tube type	UVC 2020-4K	UVC 2030-4K / 2036-4K	UVC 2036-4K
Total output, UVC _{254nm}	11.2 W	20W / 30 W	36 W
UV tube replacement interval	12'000 hours (75% ±5% residual capacity)	12'000 hours (75% ±5% residual capacity)	12'000 hours (75% ±5% residual capacity)
Power cord	5 m	5 m	5 m
Material	Stainless steel (1.4301), ABS	Stainless steel (1.4301), ABS	Stainless steel (1.4301), ABS
Classification	CE, EMC	CE, EMC	CE, EMC
IP protection	IP 52	IP 52	IP 52

ESD

Installation Kit for air duct



Product designation	ESD with UVC2020	ESD with UVC2030	ESD with UVC2036
Length L	476 mm	662 mm	918 mm
Length Lr	374 mm	560 mm	816 mm
Length Lb	485 mm	485 mm	485 mm
Weight per unit	2.50 kg	2.55 kg	2.60 kg