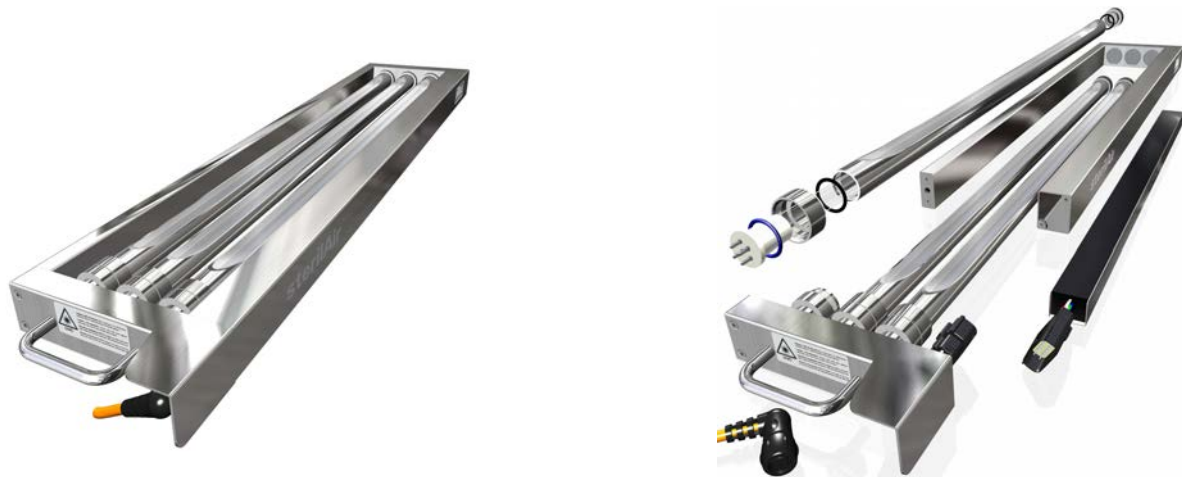


T2011

Surface and conveyor belt disinfection system

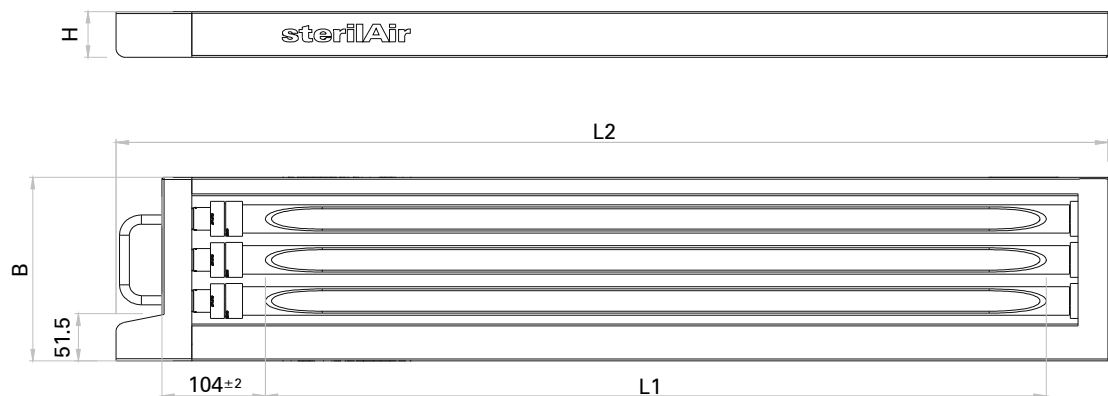
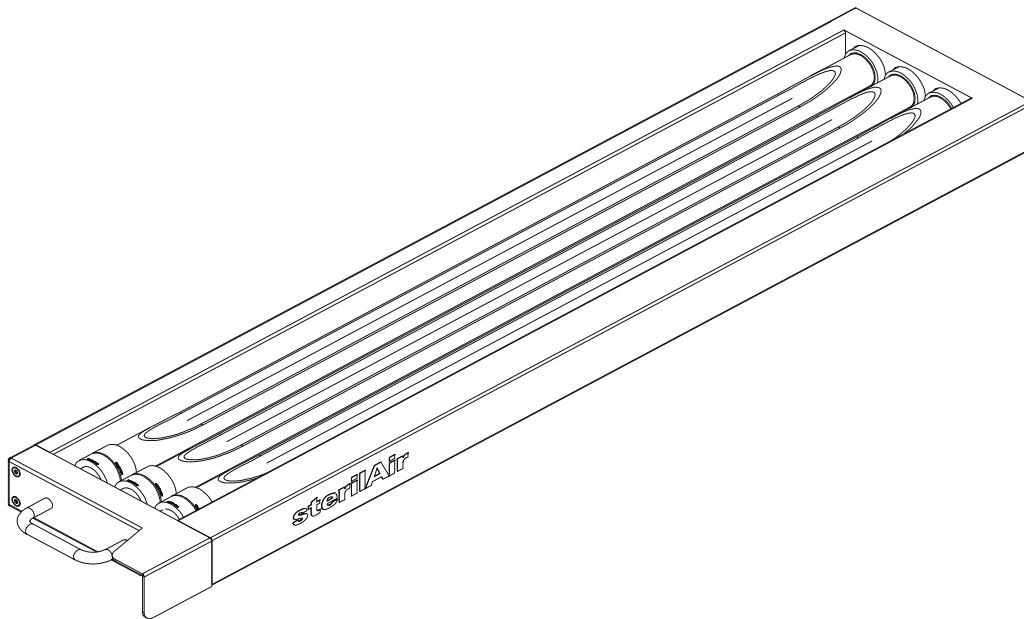


- With FDA conform glass shatter protection
- Resistant housing, IP 65
- For particularly adverse operational conditions with wet cleaning
- Low heat emission
- Detachable power cable via bayonet lock
- Optional tilt switch for maximum maintenance safety

| Product designation | T2011-20 | T2011-30 | T2011-36 |
|------------------------------------|---|---|---|
| Power consumption | 54 W, 250 mA | 108 W, 520 mA | 108 W, 520 mA |
| Supply voltage | 230 V _{AC} ±4%, 50..60 Hz | 230 V _{AC} ±4%, 50..60 Hz | 230 V _{AC} ±4%, 50..60 Hz |
| UV tube type | 3 x UVC 2020-4N(T) | 3 x UVC 2030-4H | 3 x UVC 2036-4H |
| Total output, UVC _{254nm} | 17 W | 30 W | 45 W |
| UV tube replacement interval | 12'000 hours (75% ±5% residual capacity) | 12'000 hours (75% ±5% residual capacity) | 12'000 hours (75% ±5% residual capacity) |
| Power cord | 5.0 m - Ø6.5mm | 5.0 m - Ø6.5mm | 5.0 m - Ø6.5mm |
| Material | Stainless steel (1.4301), Teflon, EPDM | Stainless steel (1.4301), Teflon, EPDM | Stainless steel (1.4301), Teflon, EPDM |
| Classification | CE, EMC, HACCP, FDA | CE, EMC, HACCP, FDA | CE, EMC, HACCP, FDA |
| IP protection | IP 65 | IP 65 | IP 65 |

T2011

Surface and conveyor belt disinfection system



| Product designation | T2011-20 | T2011-30 | T2011-36 |
|---------------------|----------|----------|----------|
| Radiation width L1 | 343 mm | 528 mm | 785 mm |
| Length L2 | 555 mm | 740 mm | 997 mm |
| Width B | 200 mm | 200 mm | 200 mm |
| Height H | 50 mm | 50 mm | 50 mm |
| Weight per unit | 5.70 kg | 7.20 kg | 9.10 kg |