

EX-TS

Modular installation system

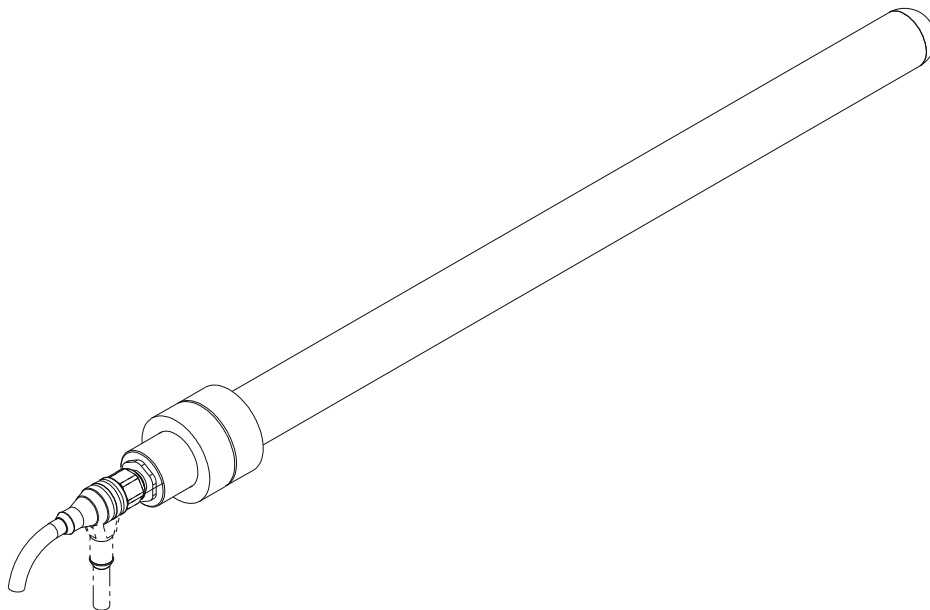
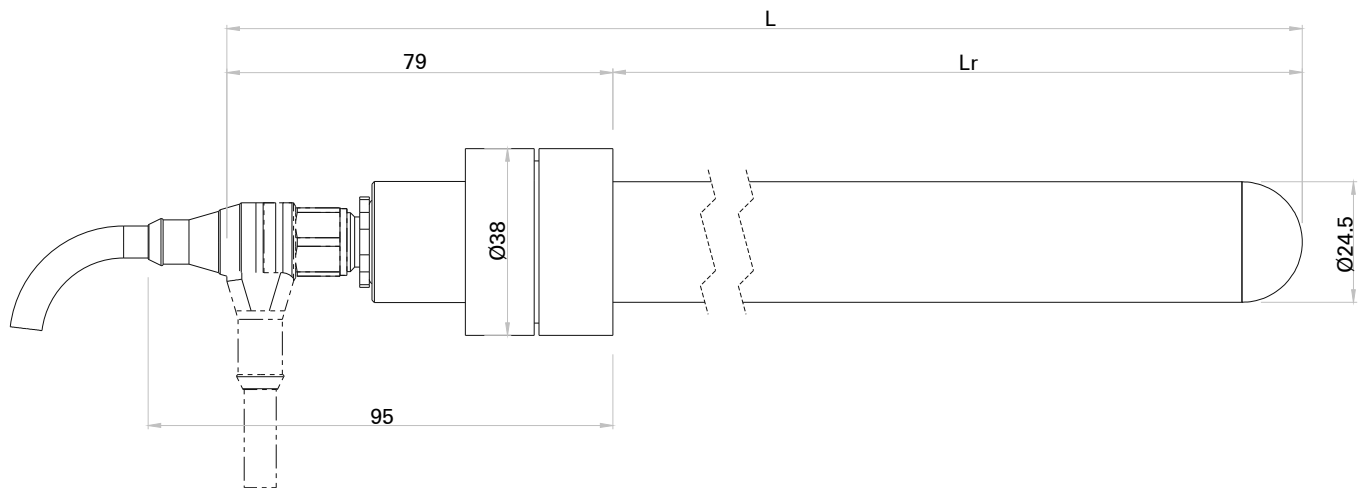


- Versatile application areas
- Easy to install and maintain
- Low heat emission, long service life
- Optional shatter protection (HACCP)
- Different lengths of cables, with M12 connectors (stainless steel AISI 304)
- Also available with mounting flange (EX-TF)

Produktbezeichnung	EX20-TS	EX30-TS	EX36-TS
Ballast	EBM/ EBD18	EBM/ EBD36	EBM/ EBD36, EBM/ EBD58
Material	Stainless steel (1.4301), Teflon, EPDM or silicone gasket	Stainless steel (1.4301), Teflon, EPDM or silicone gasket	Stainless steel (1.4301), Teflon, EPDM or silicone gasket
UV tube type	UVC 2020-4N/ -4K	UVC 2030-4N/ -4K/ -4H	UVC 2036-4N/ -4K/ -4H
Total output, UVC _{254nm}	max. 5.6 W	max. 10 W	max. 18 W
UV tube replacement interval	12'000 hours (75% ±5% residual capacity)	12'000 hours (75% ±5% residual capacity)	12'000 hours (75% ±5% residual capacity)
Connectors	M12 straight or angled	M12 straight or angled	M12 straight or angled
M12 tightening torque	0.6 Nm	0.6 Nm	0.6 Nm
Connecting cable lengths	0.3 / 0.6 / 1.0 / 1.5 / 2.0 m	0.3 / 0.6 / 1.0 / 1.5 / 2.0 m	0.3 / 0.6 / 1.0 / 1.5 / 2.0 m
Classification	CE, EMC, HACCP, FDA	CE, EMC, HACCP, FDA	CE, EMC, HACCP, FDA
IP protection	IP 65 (for tube -4K)	IP 65 (for tube -4K)	IP 65 (for tube -4K)

EX-TS

Teflon-Modular installation system



Product designation	EX20-TS	EX30-TS	EX36-TS
Length L	470 mm	655 mm	912 mm
Length Lr	391 mm	576 mm	833 mm
Weight per unit	0.50 kg	0.54 kg	0.64 kg