

## EQ-XTF

### Teflon-coated immersion system with flange

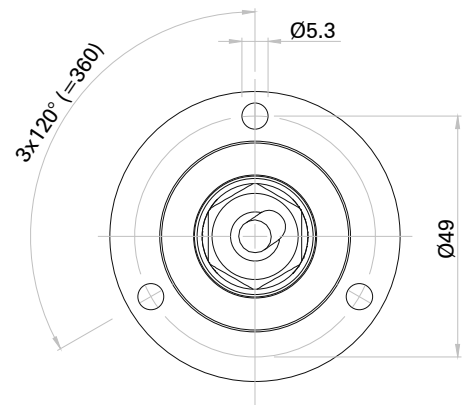
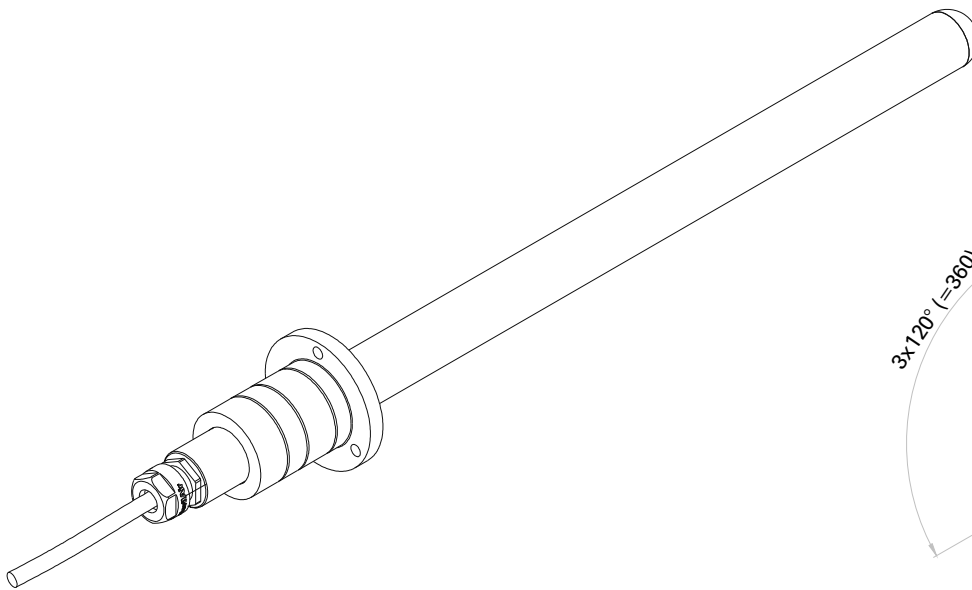
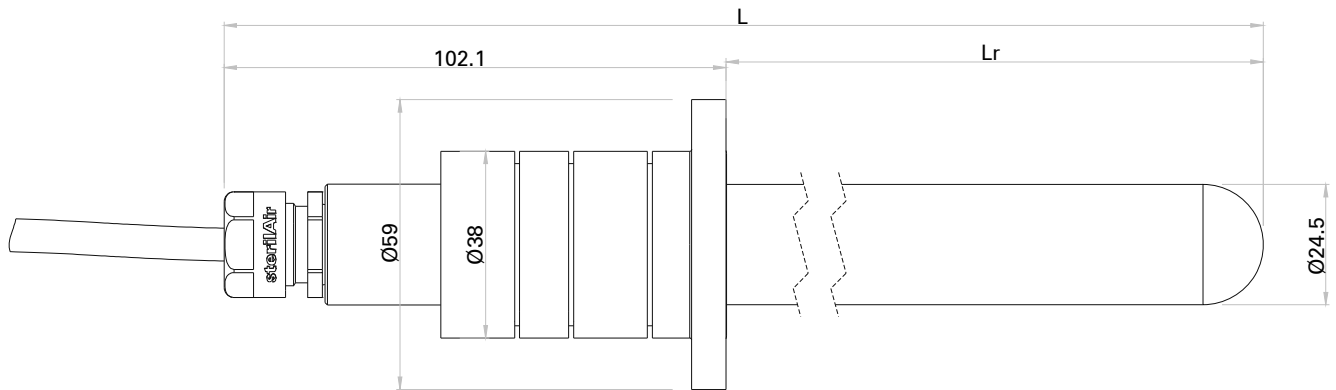


- For disinfecting aqueous solutions in storage tanks
- IP 68 tube fittings with flange adapter
- Easy to install and maintain
- Low heat emission, long service life
- Choice of water seals, silicone or EPDM
- Different lengths of cables, with M12 connectors (stainless steel AISI 304)
- Also available without special Teflon-screwing (EQ-TF)

Product designation	EQ20-XTF	EQ30-XTF	EQ36-XTF
Ballast	EBM/ EBD18	EBM/ EBD36	EBM/ EBD36, EBM/ EBD58
Material	Stainless steel (1.4401), Teflon, EPDM or silicone gasket	Stainless steel (1.4401), Teflon, EPDM or silicone gasket	Stainless steel (1.4401), Teflon, EPDM or silicone gasket
UV tube type	UVC 2020-4K	UVC 2030-4K	UVC 2036-4K
Total output, UVC <sub>254nm</sub>	max. 5.6 W	max. 10 W	max. 18 W
UV tube replacement interval	12'000 hours (75% ±5% residual capacity)	12'000 hours (75% ±5% residual capacity)	12'000 hours (75% ±5% residual capacity)
Connectors	M12 straight	M12 straight	M12 straight
Connecting cable lengths	0.3 / 0.6 / 1.0 / 1.5 / 2.0 m	0.3 / 0.6 / 1.0 / 1.5 / 2.0 m	0.3 / 0.6 / 1.0 / 1.5 / 2.0 m
M12 tightening torque	0.6 Nm	0.6 Nm	0.6 Nm
Classification	CE, EMC, HACCP, FDA	CE, EMC, HACCP, FDA	CE, EMC, HACCP, FDA
IP protection	IP 68	IP 68	IP 68

## EQ-XTF

### Teflon-coated immersion system with flange



Product designation	EQ20-XTF	EQ30-XTF	EQ36-XTF
Length L	461 mm	646 mm	903 mm
Length L <sub>r</sub>	359 mm	544 mm	801 mm
Weight per unit	0.62 kg	0.66 kg	0.76 kg