

UVR 2250-4K V4A

Industrial UV Air disinfection unit



- Very high UVC dosage
- Maximum safety due to protective grille
- Low noise level
- Maintenance friendly
- Moist room proof
- Functional parts made of stainless steel 1.4401

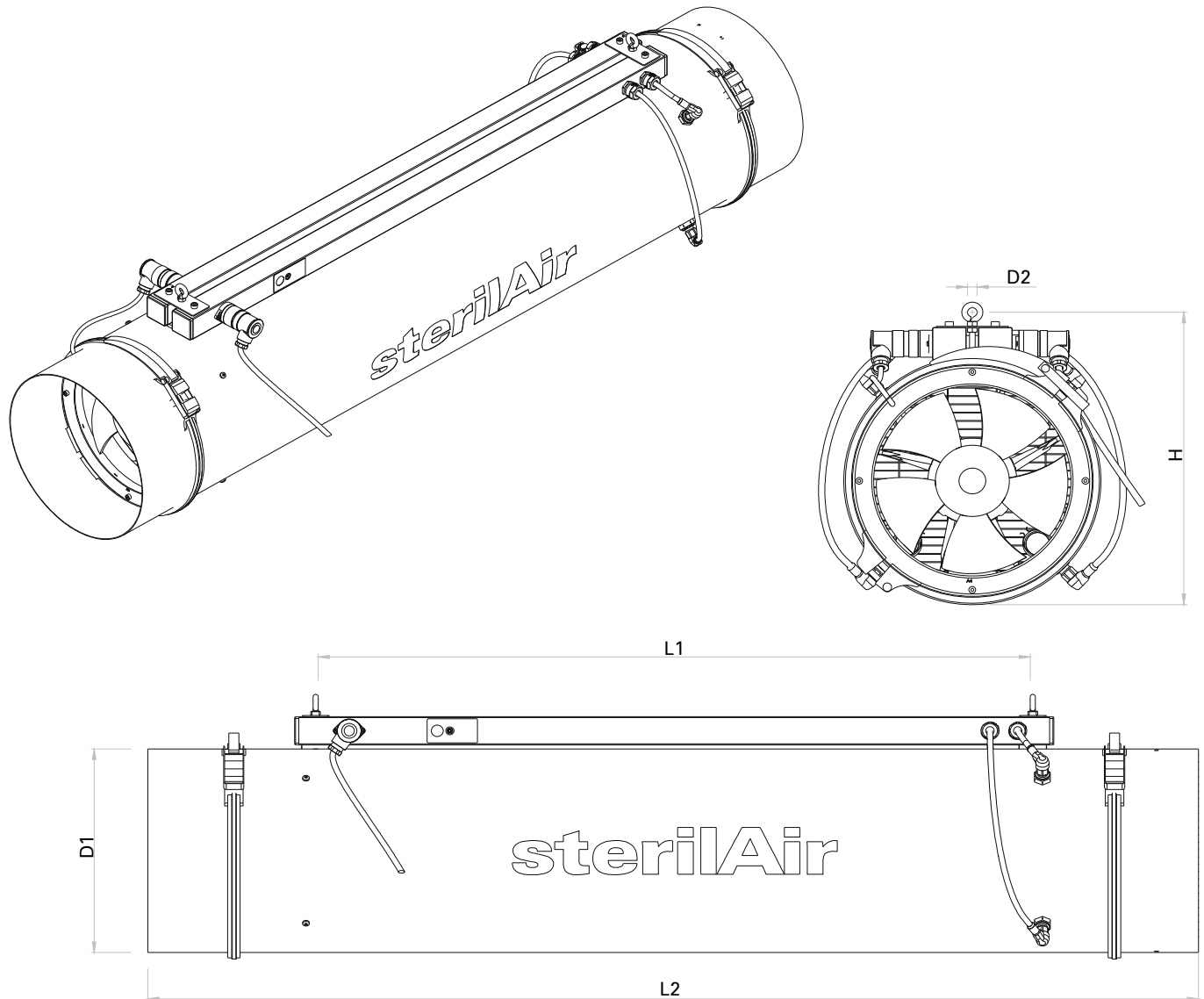
Product designation

UVR 2250-4K V4A

Power consumption	262 W, 1240 mA
Supply voltage	230 V _{AC} ±4%, 50..60 Hz
Total output, UVC _{254nm}	72 W
UV tube type	4 x UVC 2036-4K
UV tube replacement interval	12'000 hours (75% ±5% residual capacity)
Air circulation	450 m ³ / h
Noise emission	42 dBA
Material	Stainless steel (1.4301 / 1.4401), Aluminum, PP, PA
Classification	CE, EMC, HACCP, FDA (PTFE)
IP protection	IP 54

UVR 2250-4K V4A

Industrial UV Air disinfection unit



Product designation

UVR 2250-4K V4A

Heigth H	321 mm
Length L2	1259 mm
Tube diameter D1	252 mm
Mounting eye, Ø D2	10mm
Distance mounting eye L1	849mm
Weight per unit	21.5 kg